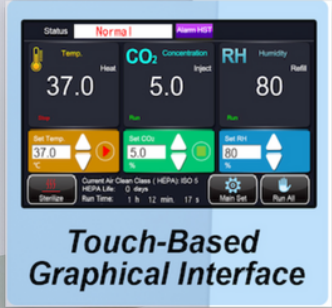


AIREA™ CO2 INCUBATOR

Advanced Controls, Smart Features, Versatile 6.75 cu ft Size



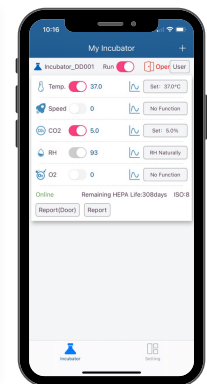
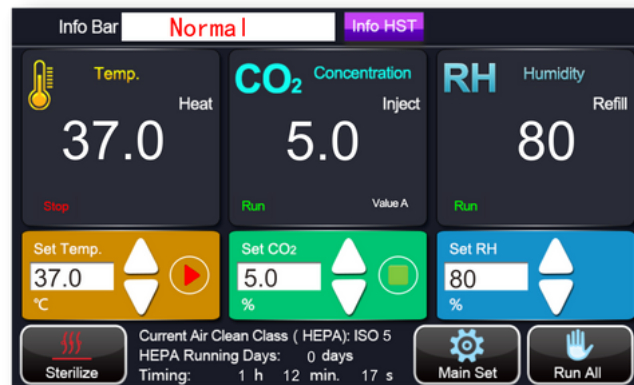
Touch-Based Graphical Interface





AIREA™ CO2 INCUBATOR

The AIREA™ CO2 Incubator (CI-191CXA) is an air-jacketed, dry-wall insulation CO2 Incubator with temperature, CO2 concentration, and humidity functions. With this incubator, customers have the ability to visualize performance and data set on the AIREA™ Remote Monitoring accessory and app.

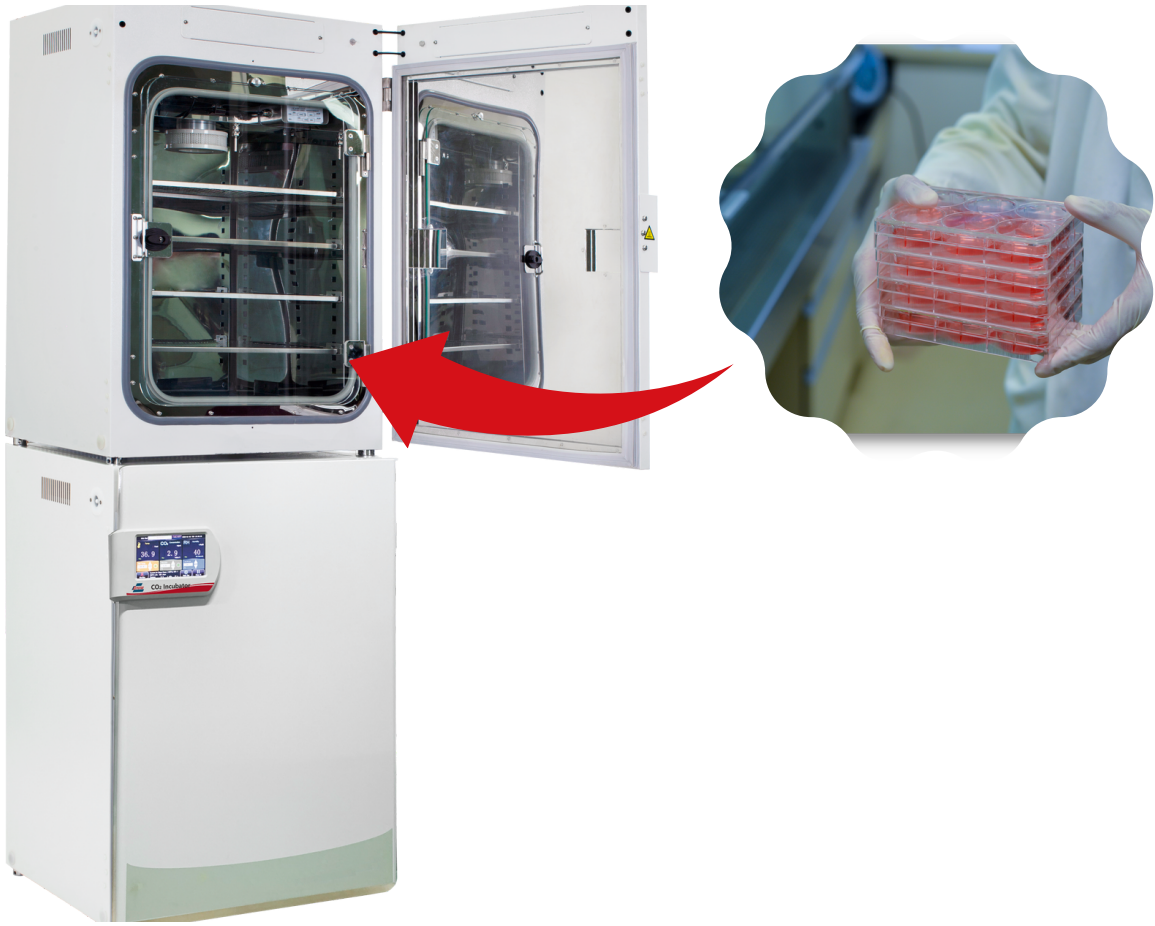


PRODUCT FEATURES:

- Chamber HEPA air filtration provides class 100 purification
- Infra-Red (IR) sensor precisely and reliably detects CO2 concentration
- Easy sterilization process at 140°C dry heat
- Temperature controlled door prevents condensation and provides higher temperature stability and uniformity
- Intuitive 7" hi-res capacitive touchscreen
- Includes 4 shelves (can hold up to 13)
- Smart capabilities allow user to control CTI CO2 Incubator from a phone or tablet
- Visualize performance and changes over time with function performance graphs
- Audible and visual alarms alert user if parameters fluctuate outside set ranges
- 3 year warranty

AIREA™ CO2 Incubator

ACHIEVE OPTIMAL CELL GROWTH



PRODUCT INFO

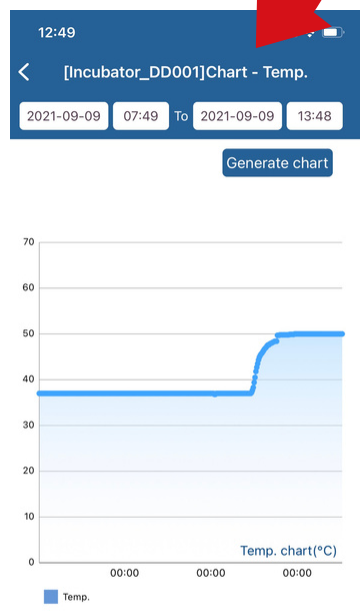
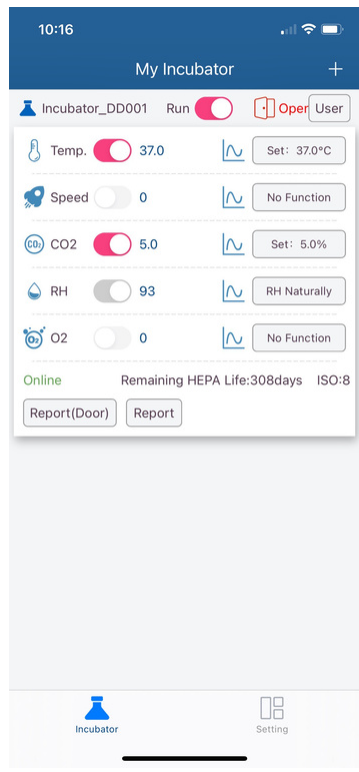
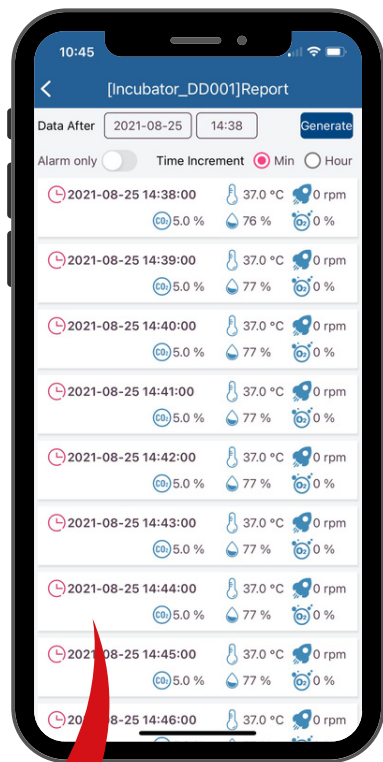
CI-191CXA is designed to best support a variety of cell cultures with its precise control of temperature and CO2 concentration. Smart capabilities in the touchscreen and remote monitoring accessory simplify the process of setting, adjusting, and monitoring parameters. The precise internal control of the AIREA™ CO2 Incubator takes the user's set parameters and creates accurate and optimal conditions for cell growth. The temperature uniformity and absence of condensation provided by the heated door also help ensure consistent results throughout the incubator's chamber. Reliable CO2 and humidity sensors deliver accurate readings and take the guesswork out of managing the environment of cell cultures.



AIREA™ CO2 Incubator

REMOTE MONITORING APP

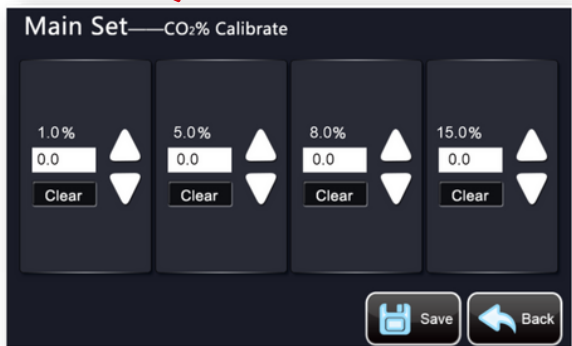
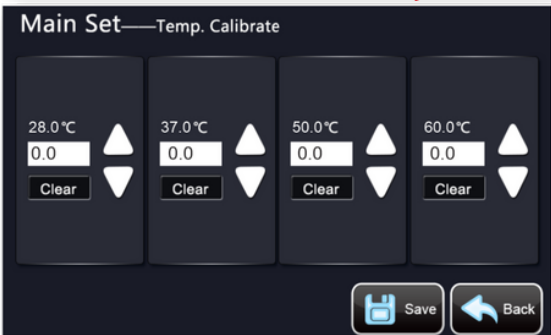
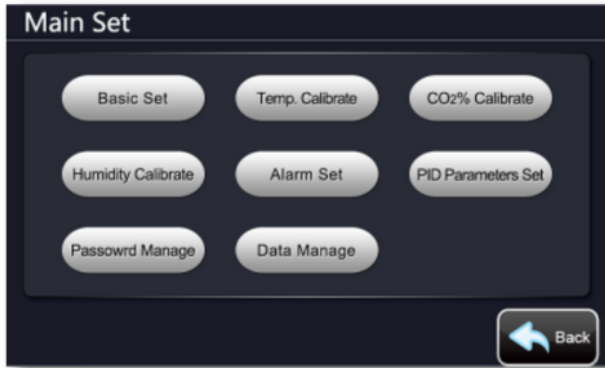
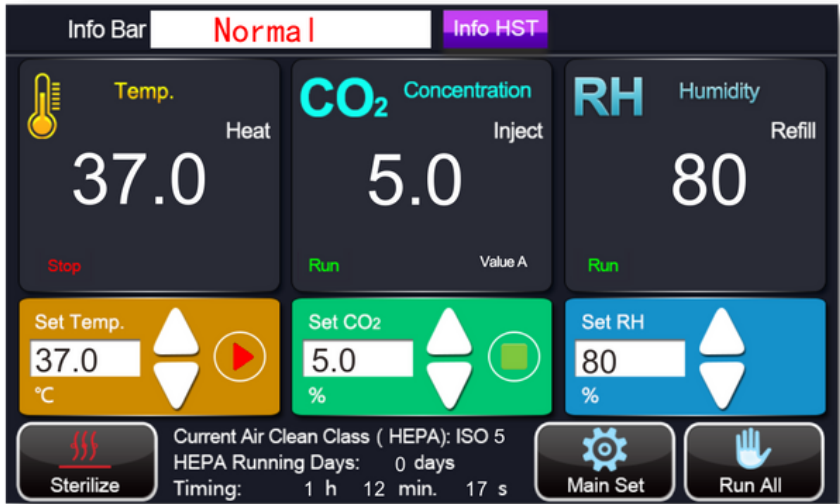
Crystal Industries' AIREA™ Remote Monitoring accessory and app give customers the ability to control their CTI CO2 Incubator right from their phone or tablet via a Wi-Fi connection. Features of the Incubator app include the ability to set and change the incubator's parameters (including temperature and CO2 concentration). Text notifications are sent when an alarm is activated. This unique app makes it possible to stay conveniently connected with your CTI Incubator and ongoing projects, whether you are in the lab or not.



AIREA™ CO2 Incubator

TOUCHSCREEN DISPLAY

This touchscreen display is an intuitive and innovative user interface. On the main screen, parameters can be set, current values are displayed, and alarms will be displayed in real time. Customers can easily configure their setting preferences.





AIREA™ CO2 Incubator

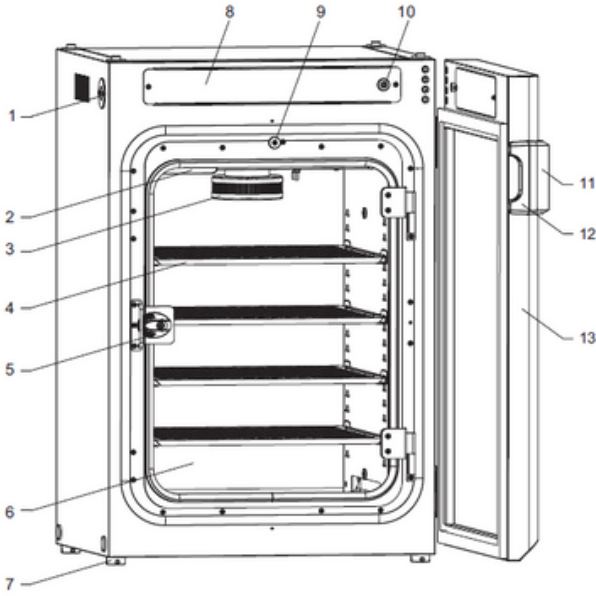
PRODUCT SPECIFICATIONS

Model	CI-191CXA
Product Name	AIREA™ CO2 Incubator 191L, Dry Heat Sterilization, Touch Screen
Capacity	191 L (6.75 cuft)
Temp. Range	Room Temp. Plus 5°C ~ 60°C
Temp. Accuracy	±0.1°C (@ 37°C) ±0.3°C max
Temp. Uniformity	±0.3°C (@ 37°C) ±0.6°C max
CO2 Sensor	IR
CO2 Concentration Range	0 ~ 20%
CO2 Concentration Accuracy	± 0.1%
Temperature Recovery Time after Opening Door	≤ 6 min (@37°C)
CO2 Recovery Time after Opening Door	≤ 6 min (@5%)
Relative Humidity Type	Natural Evaporation from Humidity Pan
Disinfection	140°C Dry Heat Sterilization
Disinfection Duration	12 Hours
Direction of Door Swing	Right
Display	7" Color Capacitance Touch Screen
Protection for Set Parameters	Password Protected
Data Display	Most Recent 7 Days of Data
Data Curve Display	Temp. Curve, CO2 Curve, RH Curve, Speed Curve(with CO2 Resistant Shaker)
Max Number of Shelves	13
Standard Number of Shelves	4
Shelf Dimensions (D x W)	472 x 472mm (18.85 x 18.85 inches)
Max Load per Shelf (When sliding in and out)	15 kg (33.06 lb)
Max Load per Shelf (Stationary)	20 kg (40.09 lb)
Insulation	Dry-Wall
U Disk Download Date	Yes
Data Storage	Most Recent 912 Days of Data
Data Storage Increments	1 min
Data Storage Types	Time, Temp, CO2 Concentration, RH, Machine Status
Auto-Run after Power Recovery	Yes
Noise Level	≤ 53dB
Water Sparge Resistant	Yes
Interface Languages	English / Chinese
Volume of Humidity Pan	3L
Power	≤ 1100W
Power Supply	AC 110V / 60Hz
Mobile Monitor and Wifi Control	Optional
PC Monitor and Control by RS485	Optional
Net Weight	125 kg (275.58 lb)
Outer Dimensions (D x W x H)	670.50 x 699.50 x 1012 mm (26.40 x 27.54 x 39.84 inches)
Chamber Dimensions (D x W x H)	540 x 510 x 700 mm (21.26 x 20.08 x 27.56 inches)
Temp. Alarm	Adjustable
CO2 Alarm	Adjustable
Chamber HEPA Filter	Yes (Class 100 Environment)
Certifications	CE

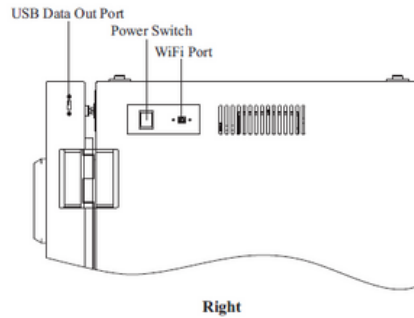
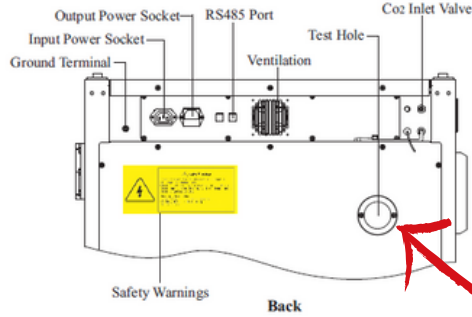


AIREA™ CO2 Incubator

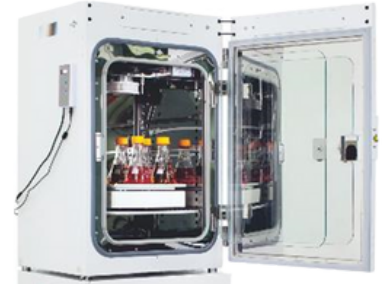
PRODUCT DIMENSIONS



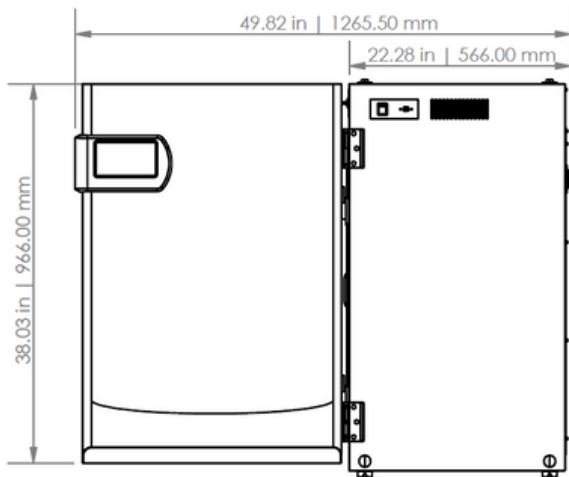
- 1---Air Sample Hole
- 2---CO2 Sensor Box
- 3---HEPA Filter
- 4---Shelf
- 5---Inner Door Latch
- 6---Inner Door
- 7---Foot
- 8---Control Assembly
- 9---Inner Door Sensor
- 10---Outer Door Sensor
- 11---Touchscreen
- 12---Outer Door Handle
- 13---Outer Door



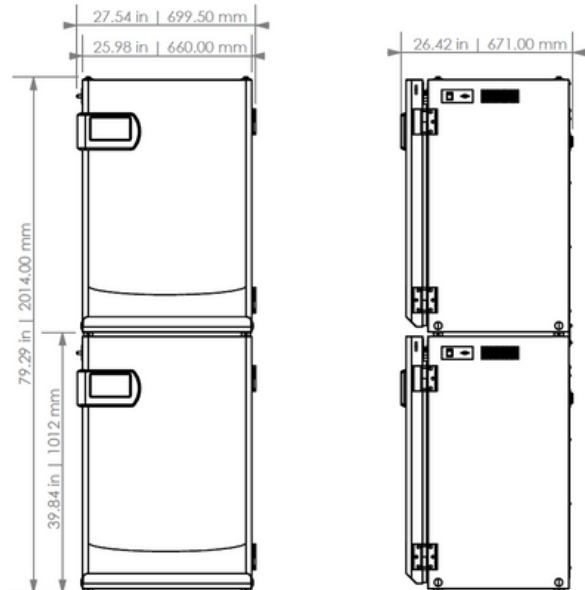
Convenient connection port for utilizing Mixers, Rollers, and Shakers inside this Aire CO2 Incubator.



Door Open



Double Stack



AIREA™ CO2 Incubator

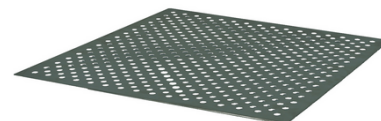
PRODUCT ACCESSORIES



CO2 Inlet HEPA Filter
1 Year Service Life
Model: CIA15



Remote Monitoring for
CO2 Incubator
Model: CIA19



Shelves
CO2 Incubator
Model: CIA24



Chamber HEPA Filter
1 Year Service Life
Model: CIA13



Caster Wheels
Model: CIA28



CO2 Cylinder Pressure Regulator
Model: CIA25

BENCHTOP EQUIPMENT COMPATIBLE WITH CI-191CXA:



CO2 Resistant Mini Roller
Model: MR-01UA/MR-03UA

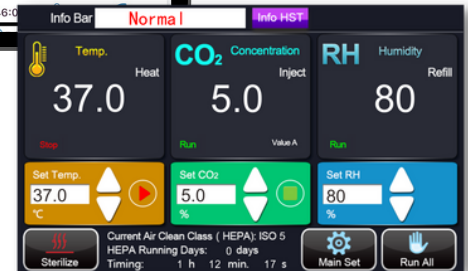
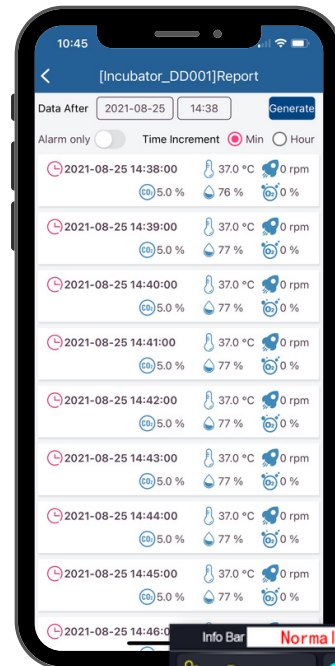


CO2 Resistant Orbital Shaker
Model: OSC-26M



AIREA™ CO2 Incubator

Advanced Controls, Smart Features, Versatile 6.75 cu ft Size



For over 25 years Crystal Technology and Industries has been driven to deliver exceptional value to the scientific marketplace by developing innovative equipment and Cryo Storage Solutions for today's scientist.